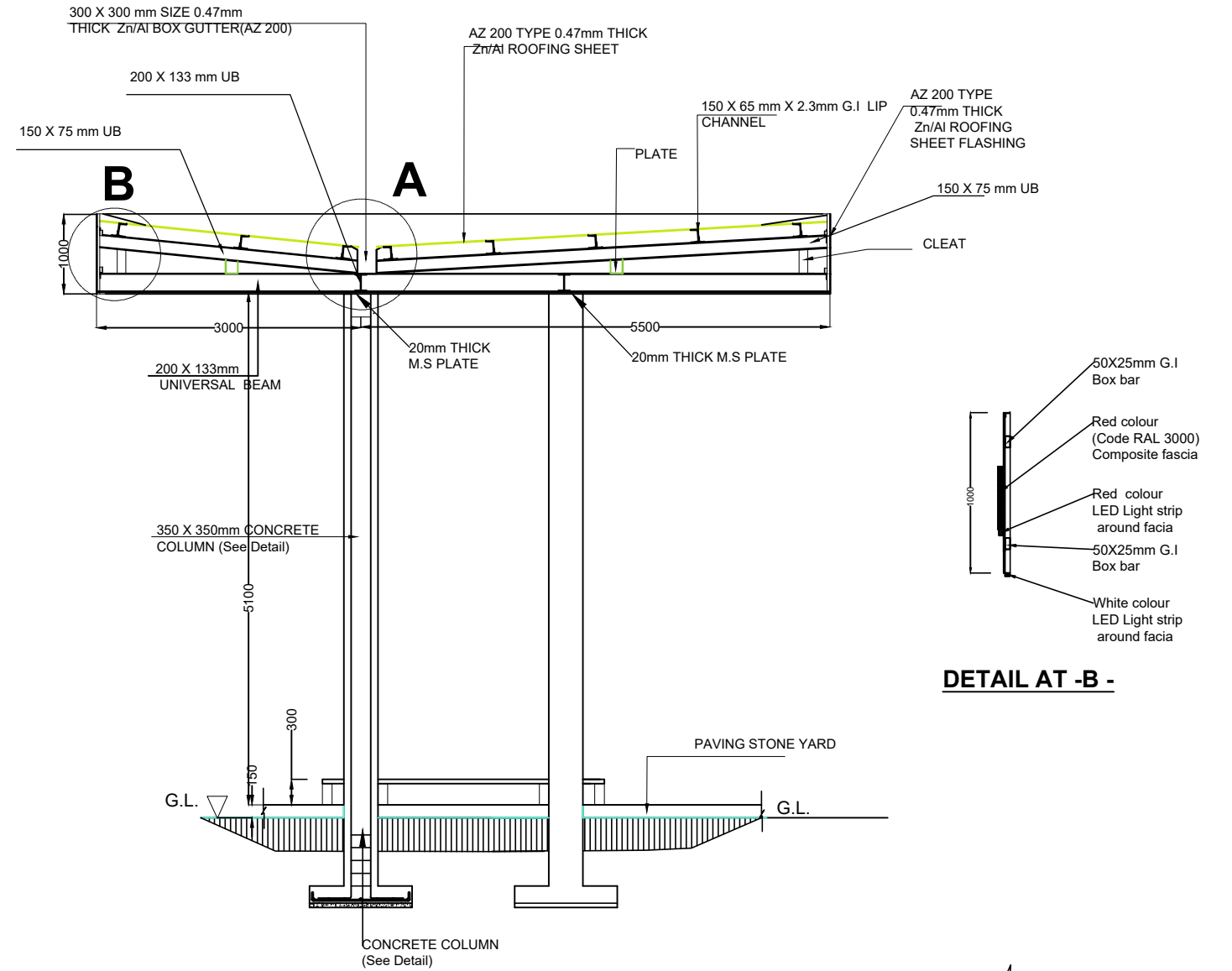


SIDE ELEVATION From - A

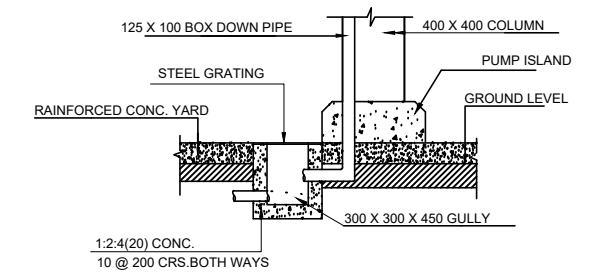
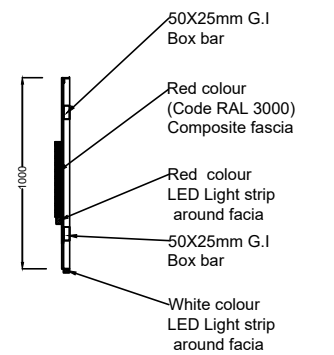
SCALE:1:100



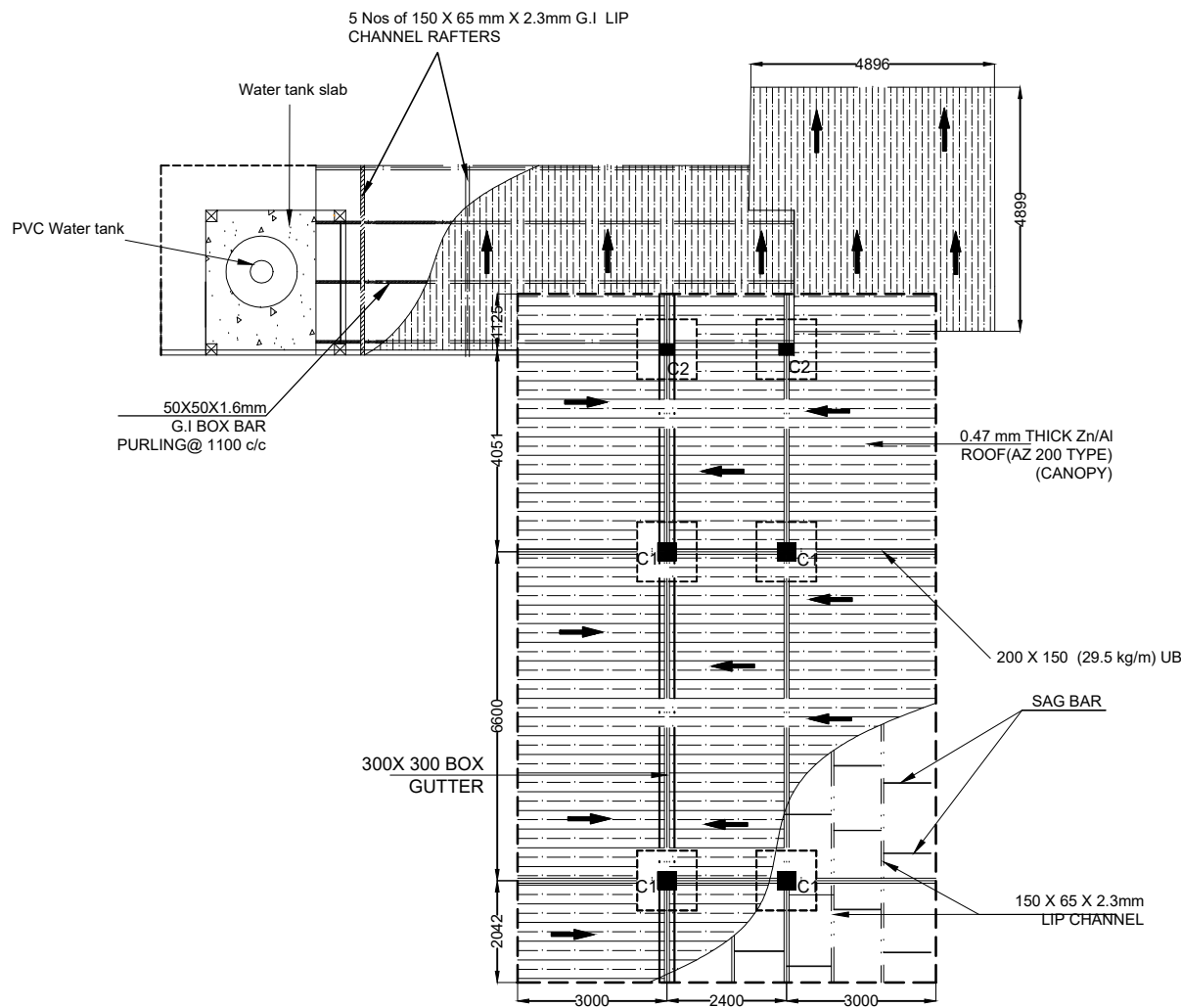
SECTION AT Y-Y

SCALE:1:50

DETAIL AT -B-

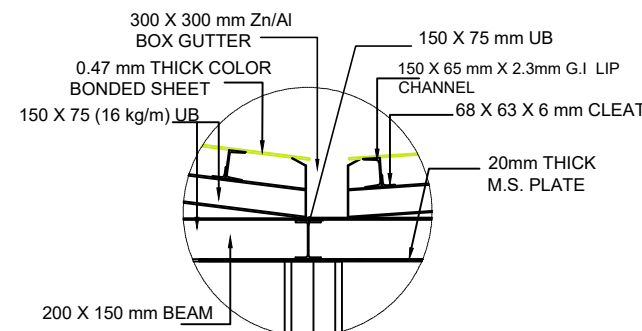


DETAIL AT EDGE OF PUMP BASE



ROOF PLAN VIEW

SCALE:1:100



DETAIL AT "A"

PROJECT : **MODIFICATION OF L.F.S.BATICALOW-PT ARASON**

TITLE:

CEYLON PETROLEUM CORPORATION
 ENGINEERING DEPARTMENT
 NO. 609,
 DR. DANISTER DE SILVA MAWATHA,
 DEMATAGODA,
 COLOMBO -09,
 TP. NO. 5661717, 5661818
 FAX 5455408

Designed	R.S		
Drawn	C.P	PRABATH	
Checked	R.S		
Approved	G.P.K.Wijekoon Manager (E&P)		
Scale	AS.SHOWN	Date:	24.02.2026
Rev.No	Drawing No:		CEYPET/ENG/ 0648
			Sheet: 03 of 02